

Level/Temperature Switch

UNS-MS1/4NPT-BN30

Features

- ▶ Temperature & level sensing in a single unit
- ▶ Compact size for easy installation
- ▶ Ideal for small tanks & vessels
- ▶ Broad media compatibility
- ▶ Ideal to use in oils and water

Applications

- ▶ Sump tanks
- ▶ Hydraulic power units
- ▶ Storage tanks
- ▶ Solvent recovery systems
- ▶ Lube oil console systems
- ▶ Marine applications
- ▶ Food & beverage applications



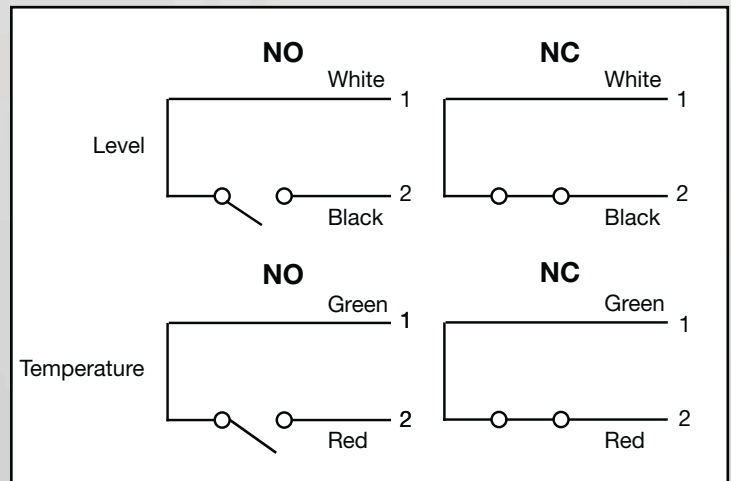
General Specifications*

Stem and Mounting Thread:	MS = Brass construction 1/4" NPT
Float:	BN = Buna N, Ø = 30 mm
Max. Operating Pressure (float):	220 psig (15 bar)
Max. Operating Temperature:	-4° to +212°F (-20° to + 100°C)- oil -4° to +176°F (-20° to + 80°C)- water
Min. Fluid Specific Gravity:	0.60g/cm ³ (0.021 lb/in ³)
Mounting Position:	Vertical, through top or bottom Max. 30° inclination
Protection Class:	IP54
Electrical Connection:	KI = PVC cable, max. 3 x 0.34 mm ² 1 m length

* See product configurator for additional options.

Max. Contact Rating Reed switch, SPST:	NO / NC: 250 V AC / DC 3 A, 100 VA / W
Temperature switch, SPST:	12 to 24 VDC, max 3 amps
Weight:	Approx. 150 grams (5.3 oz)
Approvals:	cURus

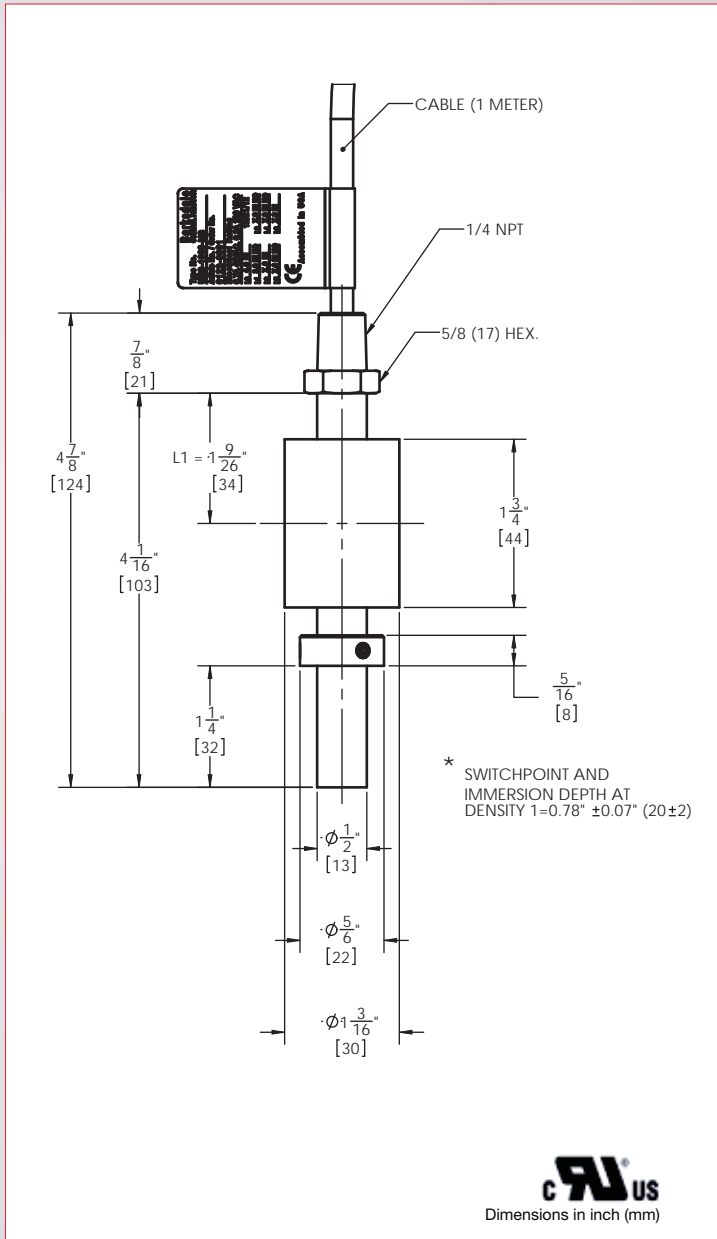
Wiring Color/Code



Level/Temperature Switch

UNS-MS1/4NPT-BN30

Technical Drawing



Order Number Key / Options

ORDERING NUMBER:	DESCRIPTION:
0111-6001	LEVEL : NORMALLY OPEN (NO) TEMPERATURE: NORMALLY CLOSED (NC) 50°C
0111-6002	LEVEL : NORMALLY OPEN (NO) TEMPERATURE: NORMALLY CLOSED (NC) 60°C
0111-6003	LEVEL : NORMALLY OPEN (NO) TEMPERATURE: NORMALLY CLOSED (NC) 70°C
0111-6004	LEVEL : NORMALLY OPEN (NO) TEMPERATURE: NORMALLY CLOSED (NC) 80°C
0111-6006	LEVEL : NORMALLY OPEN (NO) TEMPERATURE: NORMALLY OPEN (NO) 50°C
0111-6007	LEVEL : NORMALLY OPEN (NO) TEMPERATURE: NORMALLY OPEN (NO) 60°C
0111-6008	LEVEL : NORMALLY OPEN (NO) TEMPERATURE: NORMALLY OPEN (NO) 70°C
0111-6009	LEVEL : NORMALLY OPEN (NO) TEMPERATURE: NORMALLY OPEN (NO) 80°C
0111-6010	LEVEL : NORMALLY CLOSED (NC) TEMPERATURE: NORMALLY CLOSED (NC) 50°C
0111-6011	LEVEL : NORMALLY CLOSED (NC) TEMPERATURE: NORMALLY CLOSED (NC) 60°C
0111-6012	LEVEL : NORMALLY CLOSED (NC) TEMPERATURE: NORMALLY CLOSED (NC) 70°C
0111-6013	LEVEL : NORMALLY CLOSED (NC) TEMPERATURE: NORMALLY CLOSED (NC) 80°C
0111-6015	LEVEL : NORMALLY CLOSED (NC) TEMPERATURE: NORMALLY OPEN (NO) 50°C
0111-6016	LEVEL : NORMALLY CLOSED (NC) TEMPERATURE: NORMALLY OPEN (NO) 60°C
0111-6017	LEVEL : NORMALLY CLOSED (NC) TEMPERATURE: NORMALLY OPEN (NO) 70°C
0111-6018	LEVEL : NORMALLY CLOSED (NC) TEMPERATURE: NORMALLY OPEN (NO) 80°C

Note:

1. The contact model (NO & NC) are defined on the basis of an empty tank and for the level switch mounted from the top.